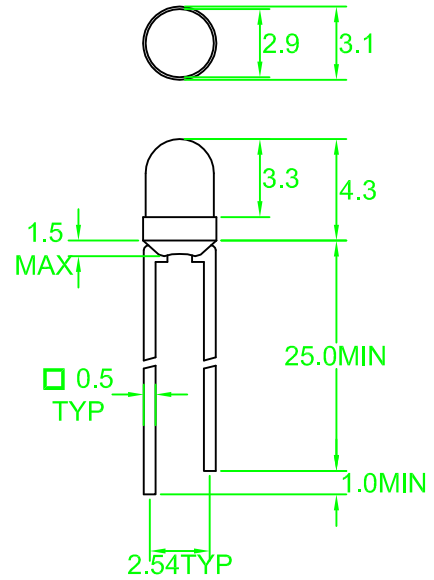
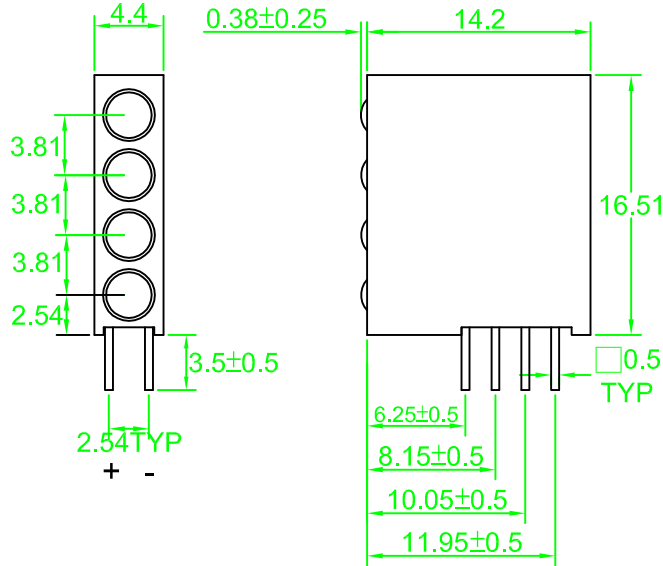


ARRAY WITH LED LAMPS **LA119B/4X** SERIES

Package Dimension



Note : 1.All dimension are in millimeter tolerance is  $\pm 0.25\text{mm}$  unless otherwise noted.  
2.Specifications are subject to change without notice

**LX2640-1**

• Part Selection And Application Informayion ( Ratings At 25°C Ambient )

PART NO	MATERIAL	COLOR		Peak wave length $\lambda_{Pnm}$	Spectral halfwidth $\Delta \lambda \text{ nm}$	Forward voltage @20mA(V)		Luminous intensity @10mA(mcd)		Viewing angle $2\theta \ 1/2$ (deg)
		Emitted	Lens			Min	Max	Min	Typ	
LA119B/4H	GaP	Red	Red Diffused	697	90	1.7	2.8	2.0	4.2	50
LA119B/4G	GaP	Green	Green Diffused	565	30	1.7	2.8	9.0	15	50
LA119B/4Y	GaAsP/GaP	Yellow	Yellow Diffused	585	35	1.7	2.8	7.5	12	50

• Absolute Maximum Rating (Ta=25°C)

PARAMETER	RED		GREEN		YELLOW		ORANGE		UNIT	REMARK
	H		G		Y					
Forward Current	15		30		20				mA	
Peak Forward Current Duty 1/10 @ 1KHz	60		120		80				mA	
Power Dissipation	40		100		60				mW	
Reverse Current @5V	10		10		10				$\mu A$	
Operating Temperature	-40°C TO +85°C									
Storage Temperature	-40°C TO +100°C									

Lead Soldering Temperature 260 °C For 5 Seconds(2.0mm From Body)