

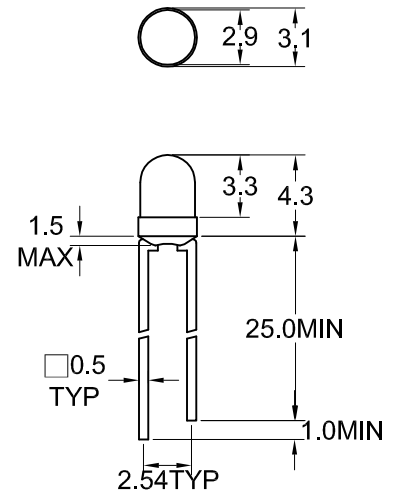
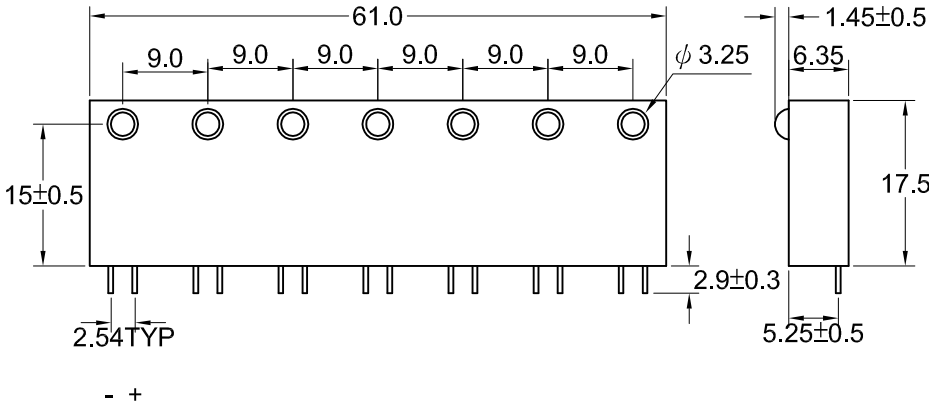


LIGITEK

ARRAY WITH LED LAMPS

LA167B-7/7X SERIES

Package Dimension



LX2640-1

Note: 1. All dimension are in millimeter tolerance is $\pm 0.25\text{mm}$ unless otherwise noted
2. Specifications are subject to change without notice

• Part Selection And Application Information (Ratings At 25°C Ambient)

PART NO	MATERIAL	COLOR		Peak wave length λ_{Pnm}	Spectral halfwidth $\Delta \lambda \text{ nm}$	Forward voltage @20mA(v)		Luminous intensity @10mA(mcd)		Viewing angle $2\theta \text{ 1/2}$ (deg)
		Emitted	Lens			Min.	Max.	Min.	Typ.	
LA167B-7/7H	GaP	Red	Red Diffused	697	90	1.7	2.6	2.0	4.2	50
LA167B-7/7G	GaP	Green	Green Diffused	565	30	1.7	2.6	9.0	15	50
LA167B-7/7Y	GaAsP/GaP	Yellow	Yellow Diffused	585	35	1.7	2.6	7.5	12	50

• Absolute Maximun Rating (Ta=25°C)

PARAMETER	RED		GREEN		YELLOW		ORANGE		UNIT	REMARK
	H		G		Y					
Forward Current	15		30		20				mA	
Peak Forward Current Duty 1/10@10KHz	60		120		80				mA	
Power Dissipation	40		100		60				mW	
Reverse Current @5v	10		10		10				μA	
Operating Temperature	-40°C TO +85°C									
Storage Temperature	-40°C TO +100°C									

Lead Soldering Temperature 260°C For 5 Seconds(2.0mm From Body)

文件編號: QW0905-LA167B-7/7X

版本: A

生效日期: 06 - Feb - 2003