



LIGITEK

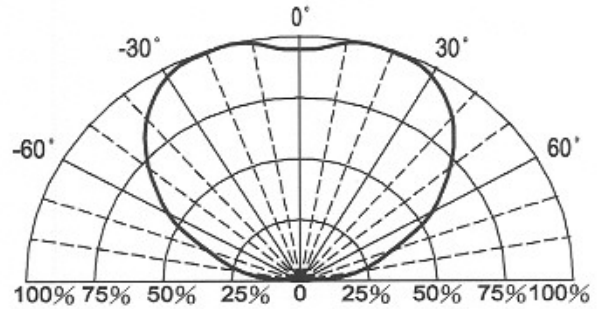
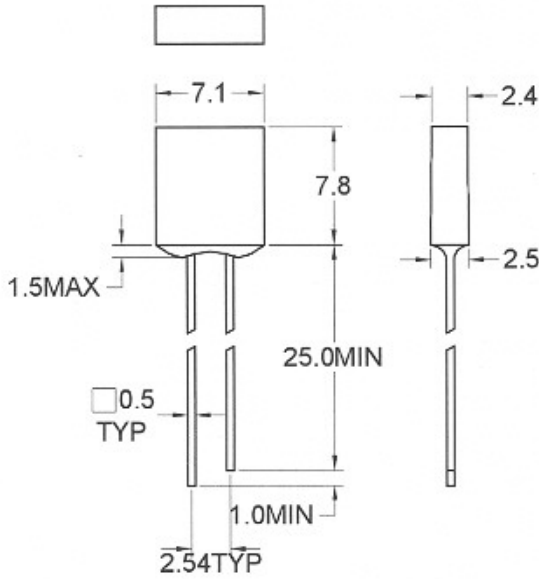
RECTANGLE TYPE LED LAMPS

LX5730

SERIES

Package Dimension

Directivity Radiation



Note: 1. All dimension are in millimeter tolerance is $\pm 0.25\text{mm}$ unless otherwise noted
2. Specifications are subject to change without notice

• Part Selection And Application Information (Ratings At 25°C Ambient)

PART NO	MATERIAL	COLOR		Peak wave length λ_{Pnm}	Spectral halfwidth $\Delta \lambda \text{ nm}$	Forward voltage @20mA(v)		Luminous intensity @10mA(mcd)		Viewing angle $2\theta 1/2$ (deg)
		Emittde	Lens			Min.	Max.	Min.	Typ.	
LR5730	GaAsP	Red	Red Diffused	655	40	1.5	2.0	0.5	0.8	122
LH5730	GaP	Red	Red Diffused	697	90	1.7	2.6	0.8	1.2	122
LG5730	GaP	Green	Green Diffused	565	30	1.7	2.6	3.0	4.5	122
LY5730	GaAsP/GaP	Yellow	Yellow Diffused	585	35	1.7	2.6	3.0	4.5	122
LE5730	GaAsP/GaP	Orange	Orange Diffused	635	45	1.7	2.6	1.8	4.0	122
LI5730	GaAsP/GaP	Orange	Red Diffused	635	45	1.7	2.6	1.8	4.0	122

• Absolute Maximun Rating ($T_a=25^\circ\text{C}$)

PARAMETER	RED		GREEN		YELLOW		ORANGE		UNIT	REMARK
	R	H	G		Y		I	E		
Forward Current	40	15	30		20		30	30	mA	
Peak Forward Current Duty 1/10@10KHz	130	60	120		80		120	120	mA	
Power Dissipation	120	40	100		60		100		mW	
Reverse Current @5v	10		10		10		10		μA	
Operating Temperature	-40°C TO +85°C									
Storage Temperature	-40°C TO +100°C									

Lead Soldering Temperature 260°C For 5 Seconds(2.0mm From Body)