



LIGITEK ELECTRONICS CO.,LTD.  
Property of Ligitek Only

LED SMD



Lead-Free Parts

LG-197FRGB-T12Y-A01

# DATA SHEET

DOC. NO : QW0905-LG-197FRGB-T12Y-A01

REV. : C

DATE : 13 - Apr. - 2022



### Features:

- 1.Meet RoHS.
- 2.Full Color SMD Chip LED With IC Control.
- 3.Sideview Package in 8.0mm carrier tape on 7" diameter reel.
- 4.Each RGB chip is 8 bit control, total of 16M color can be displayed.

### Descriptions:

1. The LG-197 SMD Taping is much smaller than lead frame type components, thus enable smaller board size, higher packing density, reduced storage space and finally smaller equipment to be obtained.
2. Besides, lightweight makes them ideal for miniature applications. etc.

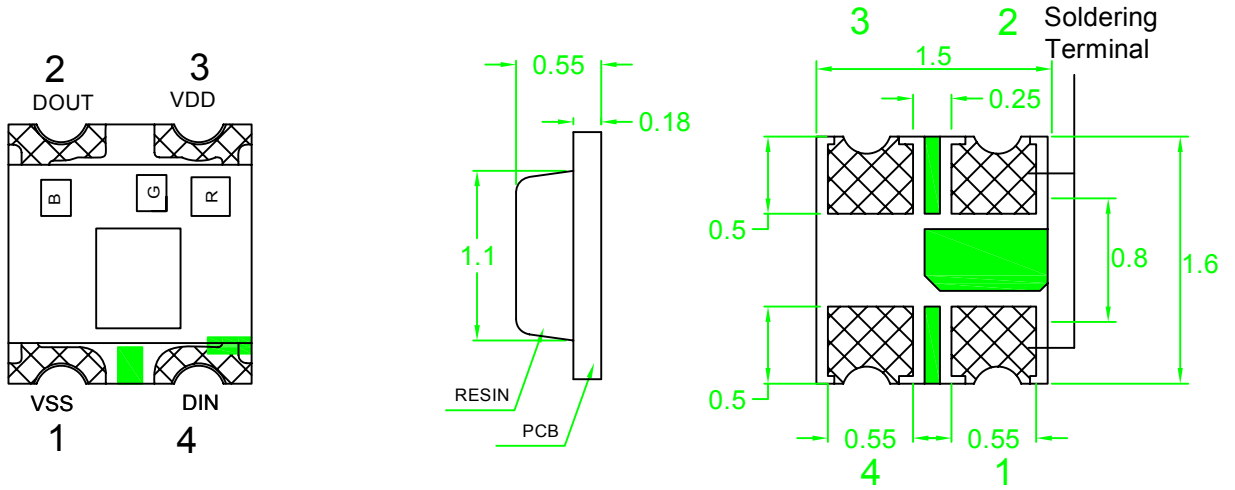
### Applications:

- 1.Consumer product, Home appliances, Telecommunication, light bar.
- 2.Toy lights, Christmas lights, Decorative lights.

### Device Selection Guide:

PART NO	MATERIAL	COLOR	
		Emitted	Lens
LG-197FRGB-T12Y-A01	AlGaInP	Red	White Diffused
	InGaN	Green	
	InGaN	Blue	

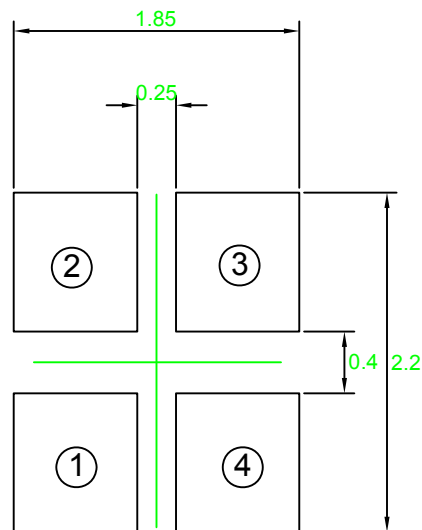
### Package Dimensions



NO.	Symbol	Function Description
1	VSS	Ground
2	DOUT	Control date signal output
3	VDD	DC power input
4	DIN	Control date signal input

Note : 1.All dimension are in millimeter tolerance is  $\pm 0.1$ mm unless otherwise noted.  
2.Specifications are subject to change without notice.

### Recommended Soldering Pad Dimensions



Note : The tolerances unless mentioned is  $\pm 0.1$ mm, Angle  $\pm 0.5$ . Unit=mm.

### Absolute Maximum Ratings

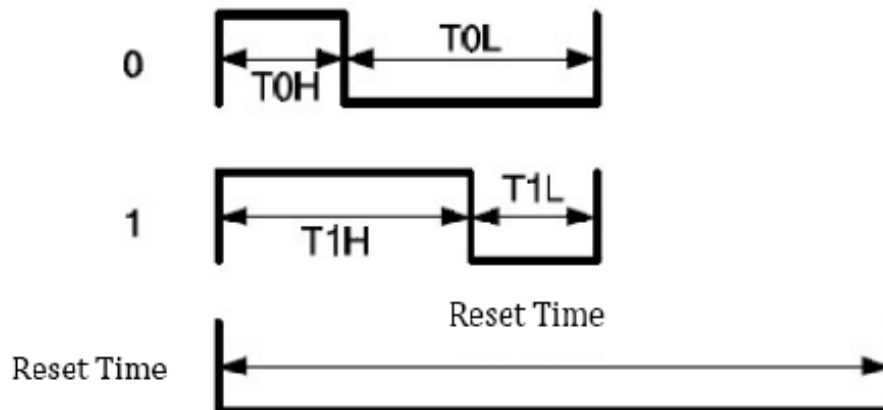
(Ta=25°C, VDD=5V, VSS=0)

Parameter	Symbol	Ratings	UNIT
Supply Voltage	VDD	-0 ~ +6.0	V
LED Output Current	I <sub>OUT</sub>	25	mA
Operating Temperature	T <sub>opr</sub>	-40~ +85	°C
Storage Temperature	T <sub>stg</sub>	-40 ~ +100	°C
Power Dissipation	P <sub>d</sub>	400	mW

### Typical Electrical & Optical Characteristics (Ta=25°C)

Items	Symbol	Min.	Typ.	Max.	UNIT	CONDITION
Supply Voltage	VDD	3.3	5	5.5	V	
Each R/G/B Current	I <sub>OL</sub>		12		mA	VDD=5V
Input High Voltage	V <sub>IH</sub>	2.7		VDD	V	DI,
Input Low Voltage	V <sub>IL</sub>	0		1.0	V	DI,
Output High Voltage	V <sub>OH</sub>	4.5				I <sub>OH</sub> =4mA
Output Low Voltage	V <sub>OL</sub>			0.4 VDD	V	I <sub>OL</sub> =4mA
Operation Current	I <sub>DD</sub>			2	mA	B、G、R no load
Pull Down Resistance	R <sub>PD</sub>		500K		Ω	Din, Dout(VDD=5V)

### Timing Wave Form



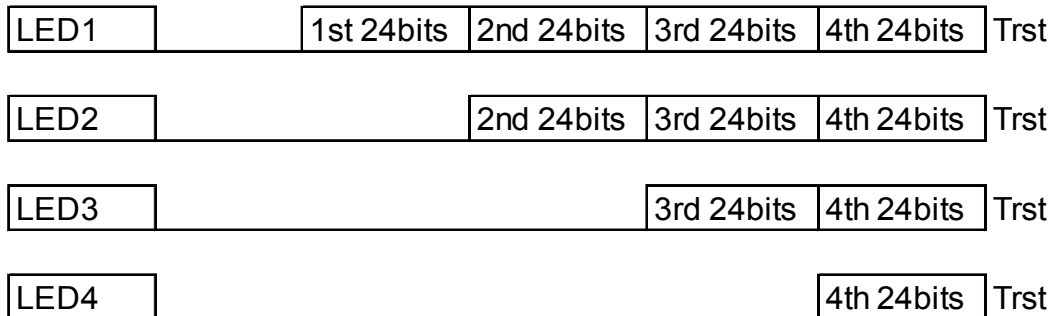
### High Speed mode

Item	Description	min	Typical	Allowance	unit
T0H	0 code, High-level time		0.3	±0.15	us
T0L	0 code, Low-level time		0.9	±0.15	us
T1H	1 code, High-level time		0.9	±0.15	us
T1L	1 code, Low-level time		0.3	±0.15	us
Trst	Reset code,Low-level time	250			us

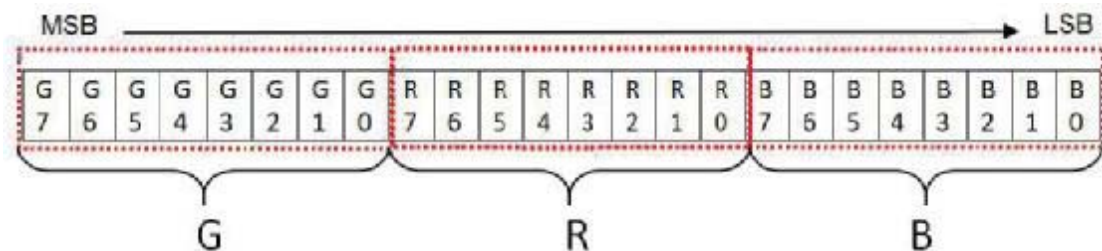
### Control Commands for multiple strips connected parallely

LG-197FRGB-T12Y-A01 supports the scenarios of controlling multiple strips with parallel connection (up to 15 strips). With appropriate commands, each of the strips can be identified and assigned a unique strip dynamic ID (by set dynamic ID command). After the commands is completed, MCU host can individually control and send the display data to each strip with the help of "Clean ID" 、 "Check ID" 、 "specify ID" commands.

## Data Communication



## Single Data in 24bit for RGB



## Advance Function Mode

This product has a Advance Function mode that supports the MCU to start with a specific command setting.

Advance Function Mode includes the following function ◦

1. Feedback the cascaded number of LEDs and maximum sink current of R/G/B channel
2. Current Gain control:32 level(5bits) to adjust maximum sink current of R/G/B channel
3. Programmable PWM refresh rate (1.25kHz/2.5kHz/5kHz/10kHz)

Electrical Optical Characteristics at Ta=25°C

Items	Symbol	Min.	Typ.	Max.	UNIT	CONDITION	
Luminous Intensity	Iv	R	125	296	500	mcd	VDD = 5.0 V
		G	320	611	1000		
		B	50	103	200		
Dominant Wavelength	λD	R	615	622	630	nm	
		G	515	525	535		
		B	460	467	475		
Viewing Angle	2θ 1/2	120			deg		

- 1.The luminous intensity data did not including ±15% testing tolerance.
- 2.The dominant wavelength data did not including ±1nm testing tolerance

### Typical Electro-Optical Characteristics Curve

Fig.1 R CHIP

Relative Intensity vs. Wavelength

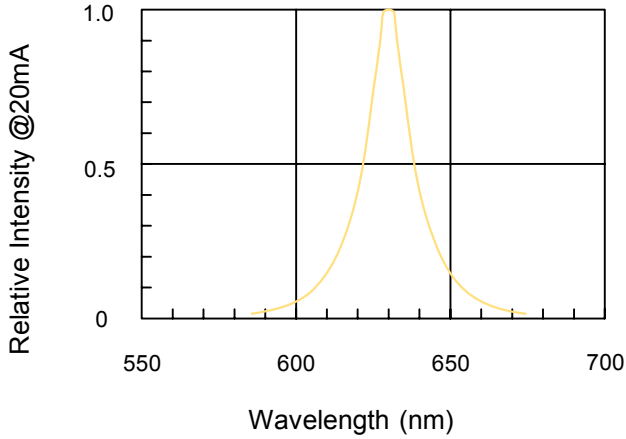


Fig.2 G CHIP

Relative Intensity vs. Wavelength

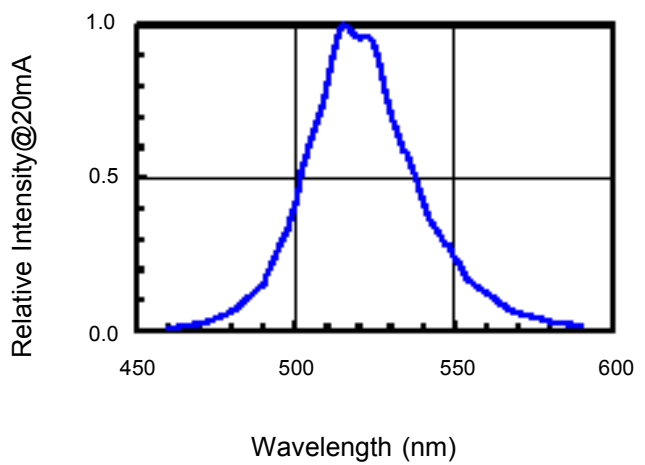


Fig.3 B CHIP

Relative Intensity vs. Wavelength

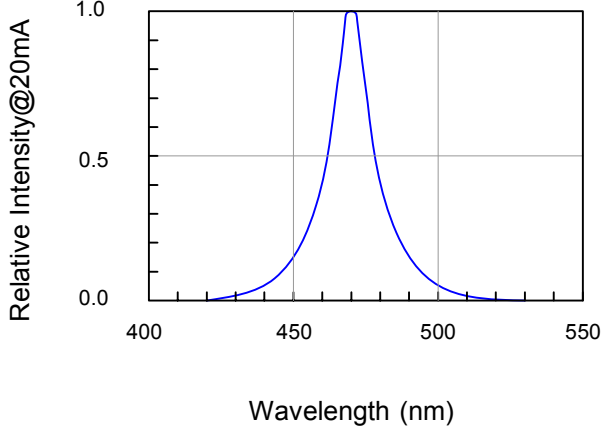
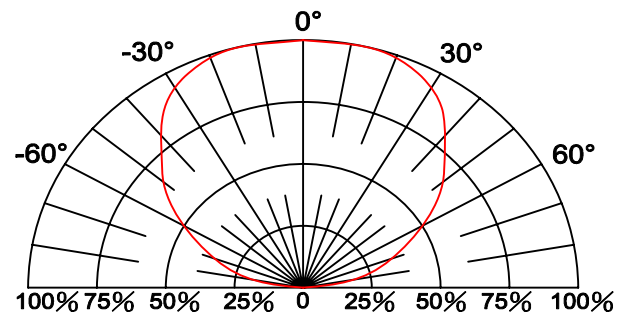
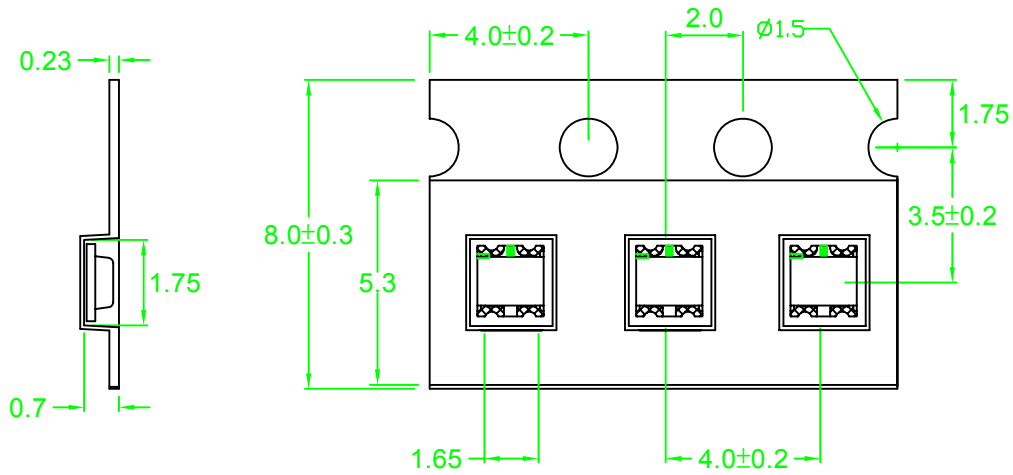


Fig.4 Directive Radiation



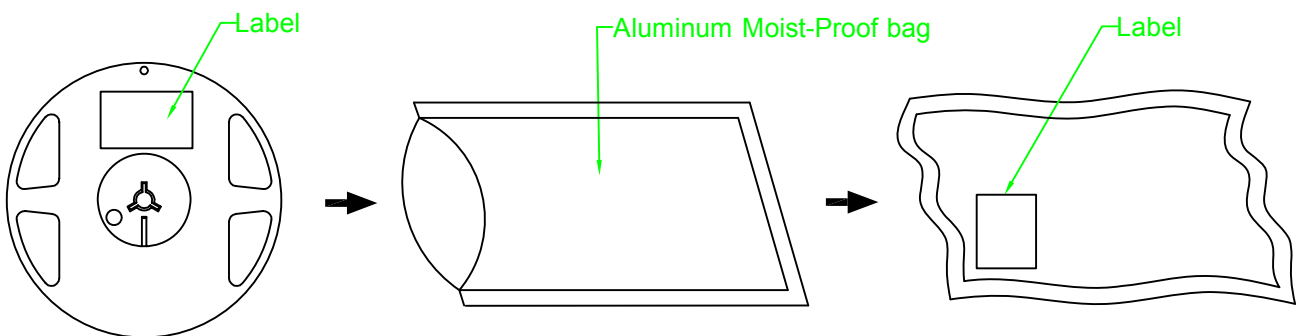


### Carrier Tape Dimensions








Note : The tolerances unless mentioned is  $\pm 0.1$ mm, Angle  $\pm 0.5$ . Unit=mm.

### Packing Specifications



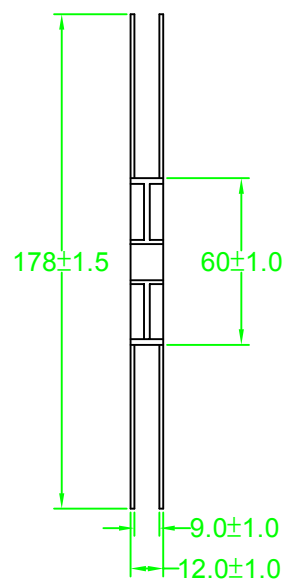
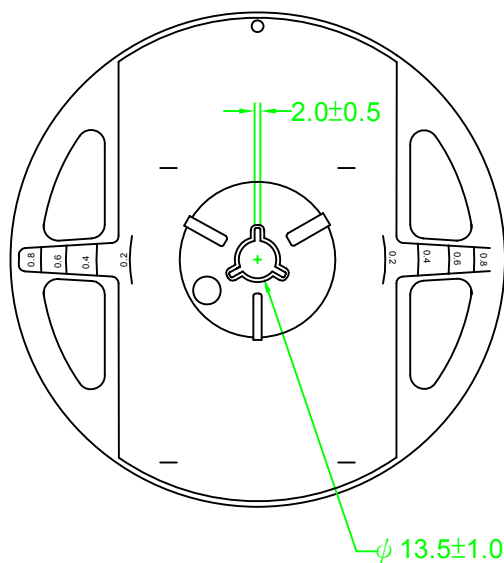
Part No.	Description	Quantity/Reel
LG-197FRGB-T12Y-A01	8.0mm tape,7"reel	4000 devices

## Label Explanation

	LIGITEK ELECTRONICS CO., LTD.	
		
	PART :	LG-197FRGB-T12Y-A01
		
	LOT :	GS113A0168
		
QTY(PCS):	4000	
		
BIN/HUE :	1	

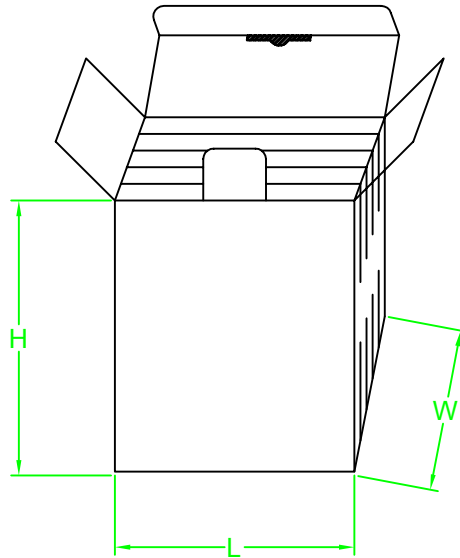
BIN : Luminous Intensity

## Reel Dimensions

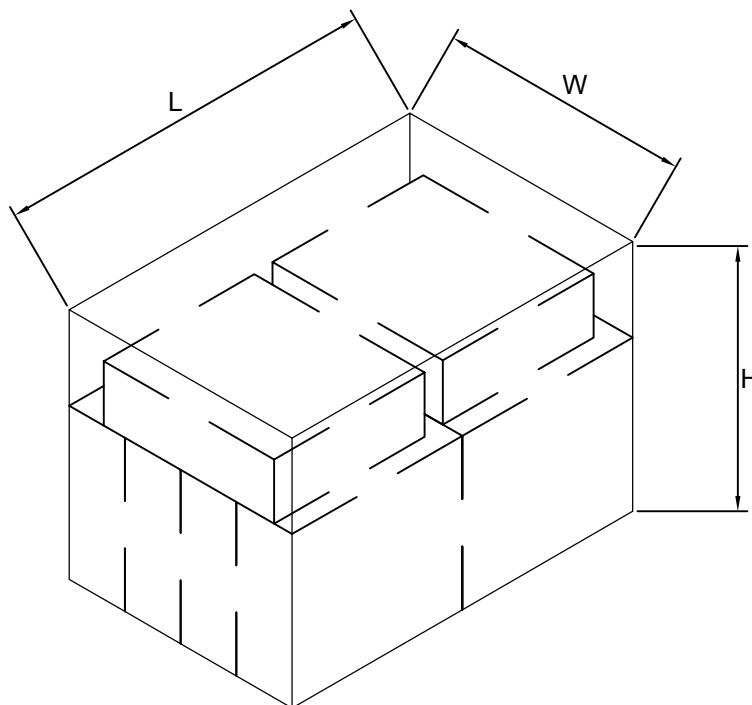


## Box Explanation

1. 5 BAG / INNER BOX
2. INNER BOX SIZE : L X W X H 23cm X 8.5cm x 26cm

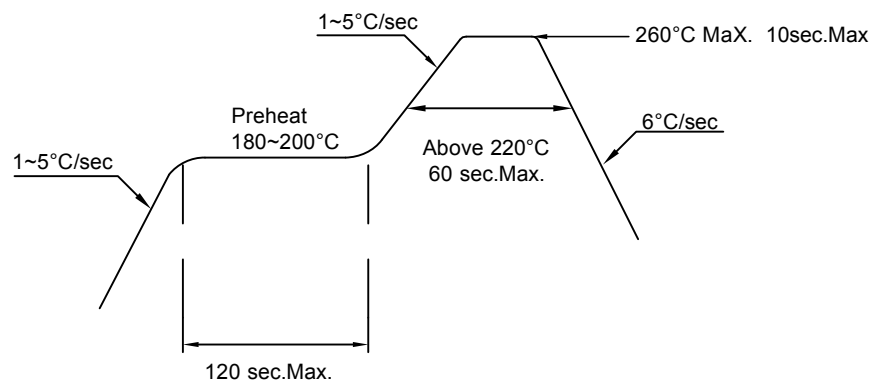


3. 10 INNER BOXES / CARTON
4. CARTON SIZE : L X W X H 58cm X 34cm x 35cm



**Recommended Soldering Conditions****1. Hand Solder**

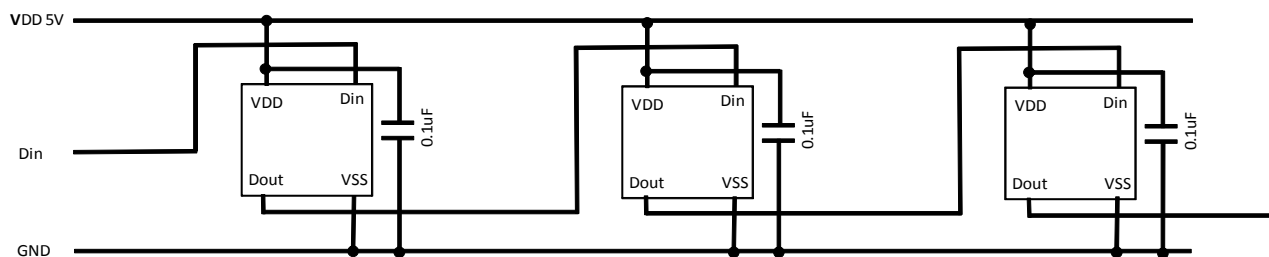
Basic spec is  $\leq 280^{\circ}\text{C}$  3 sec one time only.

**2. PB-Free Reflow Solder****Note:**

- 1.Reflow soldering should not be done more than two times.
- 2.When soldering,do not put stress on the LEDs during heating.
- 3.After soldering,do not warp the circuit board.

**Precautions For Use:****Storage time:**

1. Calculated shelf life before opening is 12 months at  $< 30^{\circ}\text{C}$  and  $< 90\%$  relative humidity (RH)
2. After bag is opened, devices which will be subjected to reflow soldering or other high temperature processes must be
  - a) Assembled within 168 hours in an environment of  $\leq 30^{\circ}\text{C} / 60\%$  RH, or
  - b) Stored at ambient of 10% RH or less
3. Devices are required baking before assembly if:
  - a) Humidity Indicator Card reads  $>10\%$  (for level 2a -5a) or  $>60\%$  (for level 2) at ambient temperature  $23\pm 5^{\circ}\text{C}$
  - b) 2.a) or 2.b) doesn't meet
4. If baking is required, devices should be baked for  $>24$  hours at  $60\pm 5^{\circ}\text{C} / 5\%$  RH. Performing baking only once, and using the baked devices within 8 hours.

**Recommended route****Cleaning:**

Use alcohol-based cleaning solvents such as isopropyl alcohol to clean the LED.

**ESD(Electrostatic Discharge):**

Static Electricity or power surge will damage the LED. Use of a conductive wrist band or anti-electrostatic glove is recommended when handling these LED. All devices, equipment and machinery must be properly grounded.