

SINGLE DIGIT SMD DISPLAY(0.28")

LSSD215/63V-XX

DATA SHEET

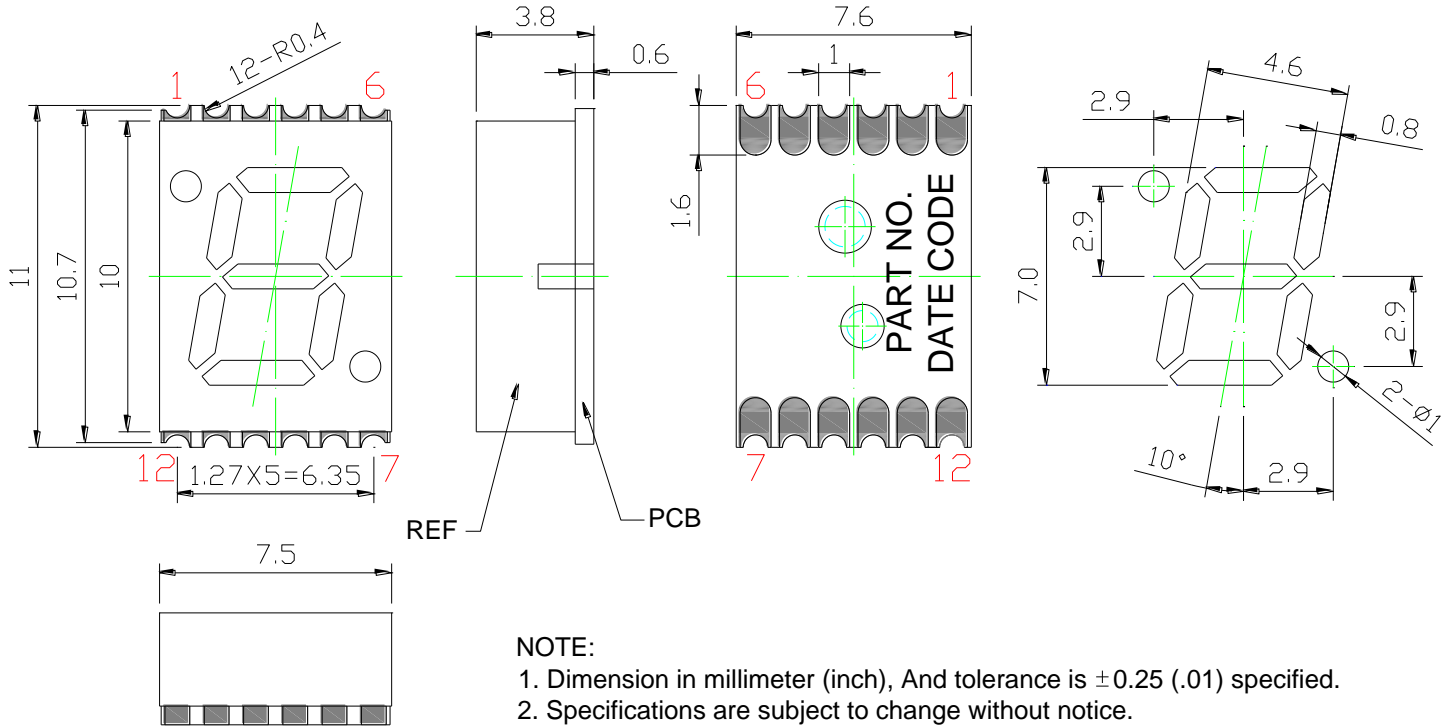
DOC.NO : QW0905- LSSD215/63V-XX

REV. : A

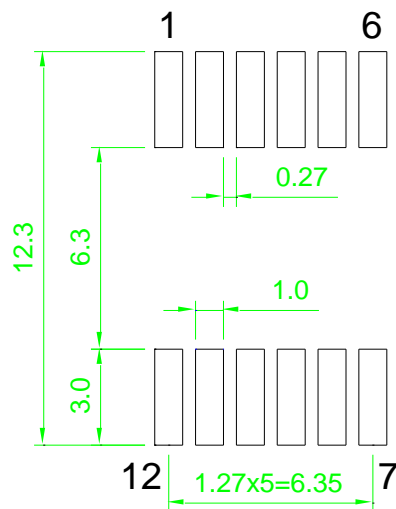
DATE : 18 – Dec. - 2018



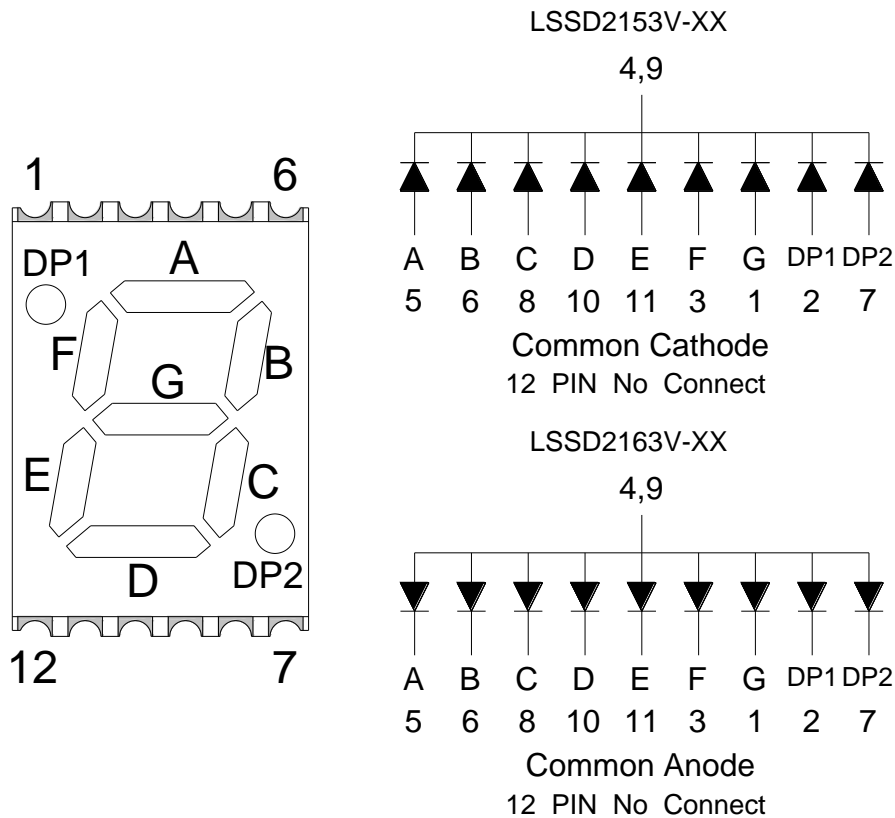
Package Dimensions



Recommended Soldering Pad Dimensions



Internal Circuit Diagram



Electrical Connection

PIN NO.	LSSD2153V-XX	PIN NO.	LSSD2163V-XX
1	Anode G	1	Cathode G
2	Anode DP1	2	Cathode DP1
3	Anode F	3	Cathode F
4	Common Cathode	4	Common Anode
5	Anode A	5	Cathode A
6	Anode B	6	Cathode B
7	Anode DP	7	Cathode DP
8	Anode C	8	Cathode C
9	Common Cathode	9	Common Anode
10	Anode D	10	Cathode D
11	Anode E	11	Cathode E
12	No Connect	12	No Connect

Absolute Maximum Ratings at Ta=25°C

Parameter	Symbol	Ratings	UNIT
Power Dissipation	PD	70	mW
Peak pulse current Duty 1/10@10KHz	I _{FP}	90	mA
Forward Current Per Chip	I _F	25	mA
Debating liner from 25°C per segment	---	0.28	mA / °C
Storage Temperature	T _{stg}	-40 ~ +105	°C
Operating Temperature	T _{opr}	-40 ~ +105	°C

Typical Electrical & Optical Characteristics (Ta=25°C)

Parameter	Symbol	Min.	Typ.	Max.	Unit	Condition
Luminous Intensity	IV	10	----	55	mcd	IF=20mA
Dominant Wavelength	λ D	585	----	595	nm	IF=20mA
Spectral Line Half-Width	ΔP	----	20	----	nm	IF=20mA
Forward Voltage	VF	----	2.0	2.4	V	IF=20mA
Reverse Current	Ir	----	----	10	μ A	VR=5V

Note : 1.The forward voltage data did not including ±0.1V testing tolerance.
2.The luminous intensity data did not including ±15% testing tolerance.

Luminous Intensity Classification

BIN CODE	Iv(mcd) at 20mA	
	Min	Max
K	10	25
L	25.1	40
M	40.1	55

Dominant Wavelength Classification

BIN CODE	Wd(nm) at 20mA	
	Min	Max
1	585	588
2	588.1	592
3	592.1	595

Typical Electro-Optical Characteristics Curve

(25 °C Free Air Temperature Unless Otherwise Specified)
3V: SUPER BRIGHT YELLOW (AlGaInP/GaAs) CURVE

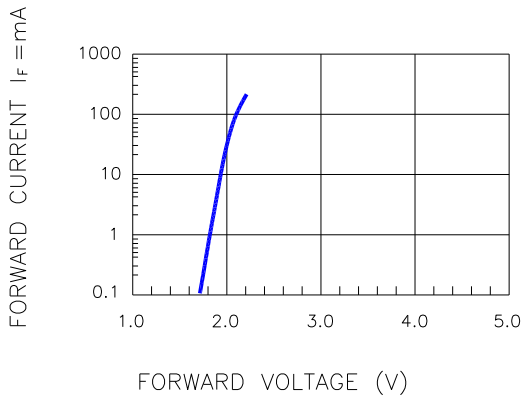


Fig.1 FORWARD CURRENT VS. FORWARD VOLTAGE

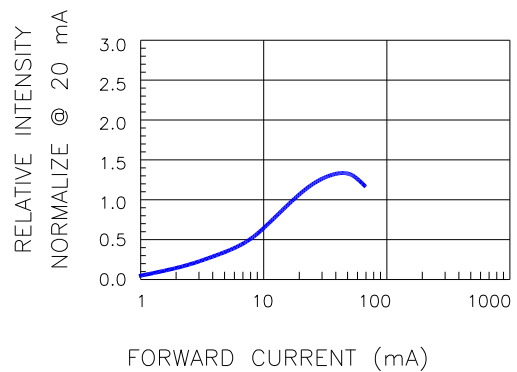


Fig.2 RELATIVE INTENSITY VS. FORWARD CURRENT

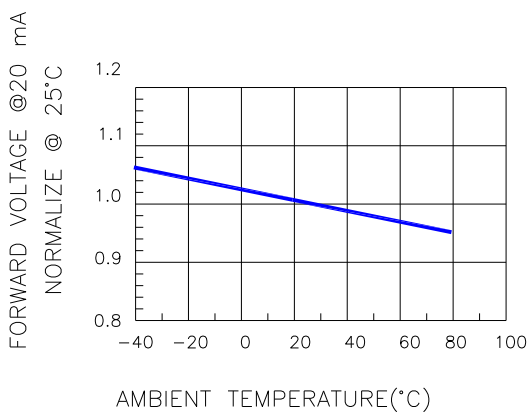


Fig.3 FORWARD VOLTAGE VS. TEMPERATURE

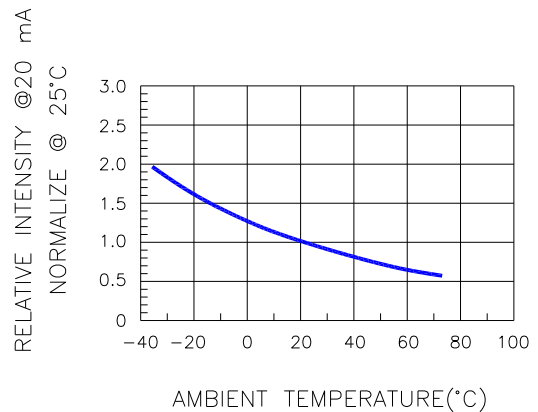


Fig.4 RELATIVE INTENSITY VS. TEMPERATURE

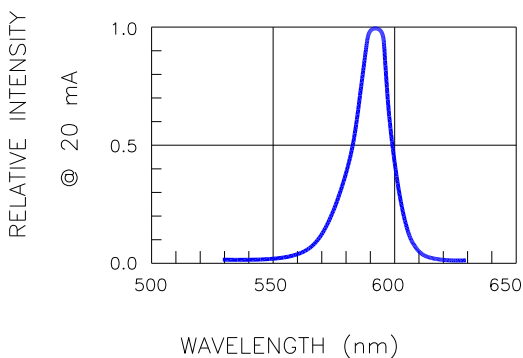


Fig.5 RELATIVE INTENSITY VS. WAVELENGTH

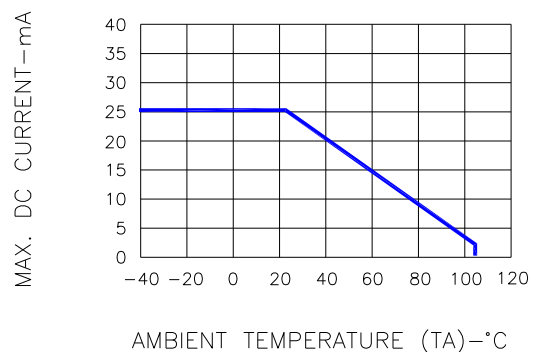
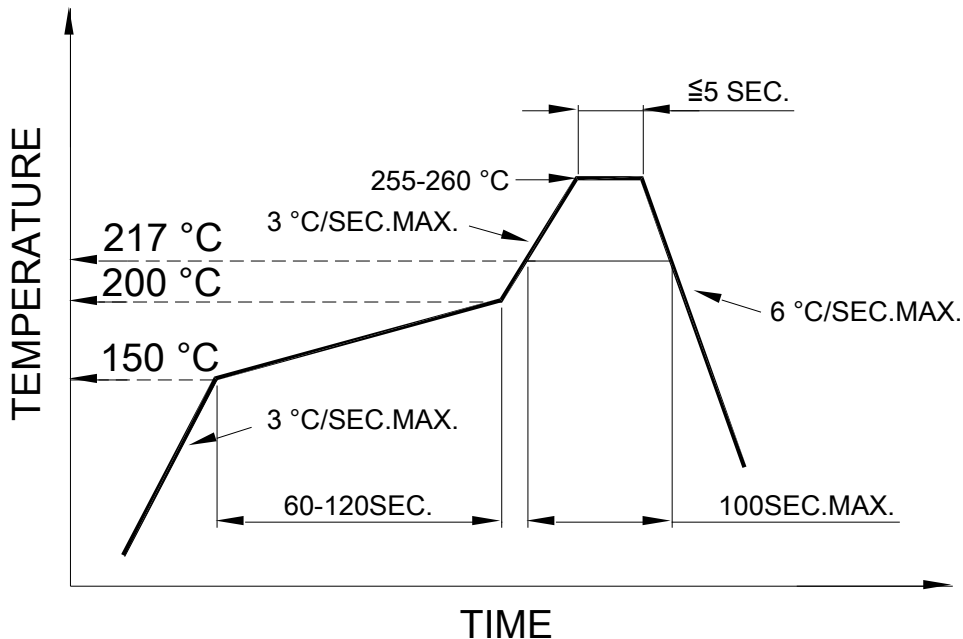


Fig.6 MAX. ALLOWABLE DC CURRENT VS. AMBIENT TEMPERATURE

SMT REFLOW SOLDERING INSTRUCTIONS

SMT Soldering Profile

Pb free reflow soldering Profile



SOLDERING IRON

Basic spec is ≤ 4 sec when 260°C. If temperature is higher, time should be shorter (+10°C→1 sec). Power dissipation of Iron should be smaller than 15W, and temperature should be controllable. Surface temperature of the device should be under 230°C.

REWORK

Customer must finish rework within 3 sec. under 350°C.

The head of soldering iron cannot touch copper foil.

● STORAGED CONDITION

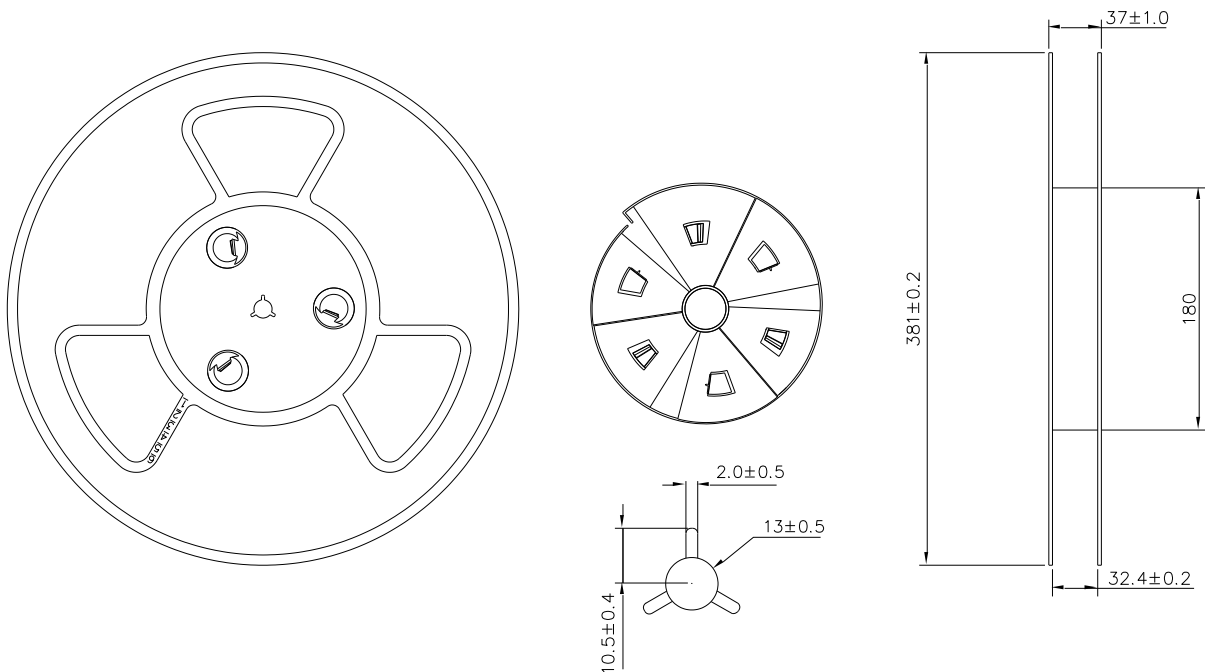
In factory original sealed bag package

TEMPERATURE CONDITION	HUMIDITY CONDITION
5°C ~ 30°C	Below 60%RH

After opened and not in factory original sealed bag package

TEMPERATURE CONDITION	HUMIDITY CONDITION	STORAGE TIME
5°C ~ 30°C	Below 60%RH	Within 4 weeks (MSL as level 2a)

REEL DIMENSIONS



PACKING & LABEL SPECIFICATIONS

