



LIGITEK ELECTRONICS CO.,LTD.
Property of Ligitek Only

SURFACE MOUNT LED TAPE AND REEL



Lead-Free Parts

LZIR9S53

DATA SHEET

DOC. NO : QW0905-LZIR9S53

REV. : A

DATE : 22 - Mar. - 2015



Features:

1. Top view LED.
2. white SMT package.
3. Leadframe package with individual 2 pin.
4. Wide viewing angle.
5. Soldering methods: IR reflow soldering.
6. Feature of the device: more light due to higher optical efficiency; extremely wide viewing angle; ideal for backlighting and coupling in light guide.

Descriptions:

The LZIR9S53 SMD has wide viewing angle and optimized light coupling by inter reflector, The low current requirement makes this device ideal for portable equipment or any other application where power is at a premium.

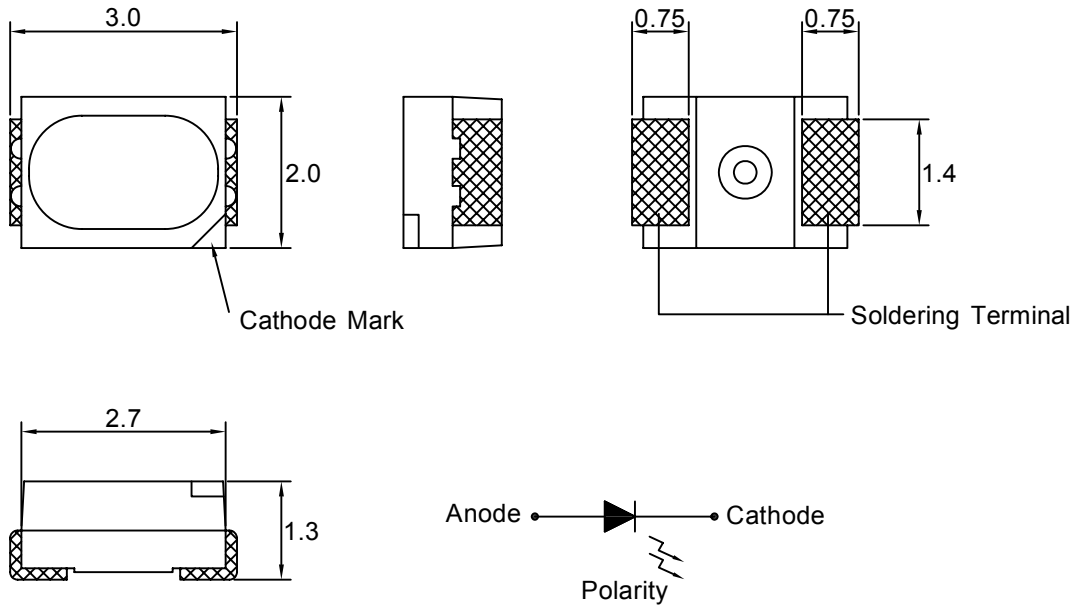
Applications:

1. Smoke detector.
2. VCR.
3. Optoelectronic Switch.
4. Sensor.

Device Selection Guide:

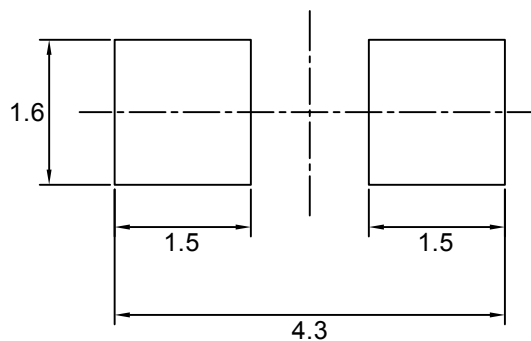
PART NO	MATERIAL	LENS COLOR
LZIR9S53	GaAIAs	Water Clear

Package Dimensions



Note : 1.All dimension are in millimeter tolerance is $\pm 0.2\text{mm}$ unless otherwise noted.
2.Specifications are subject to change without notice.

Recommended Soldering Pad Dimensions



Note : The tolerances unless mentioned is $\pm 0.1\text{mm}$, Unit=mm.

Absolute Maximum Ratings at Ta=25°C

Parameter	Symbol	Ratings	UNIT
		ZIR	
Power Dissipation	PD	100	mW
Peak Forward Current (300pps, 10 μ s Pulse)	IFP	1	A
Forward Current	IF	50	mA
Reverse Voltage	Vr	5	V
Operating Temperature	Topr	- 40 ~ + 85	°C
Storage Temperature	Tstg	- 40 ~ + 100	°C

Typical Electrical & Optical Characteristics (Ta=25°C)

PARAMETER	SYMBOL	Min.	Typ.	Max.	UNIT	CONDITION
Radiant Intensity	Le	1.8	3.2	----	mW/sr	IF=20mA
Peak Emission Wavelength	λ P	----	810	----	nm	IF=20mA
Spectral Line Half Width	$\Delta \lambda$	----	50	----	nm	IF=20mA
Forward Voltage	V _F	1.2	----	1.7	V	IF=20mA
Reverse Current	IR	----	----	100	μ A	VR=5V
Viewing Angle	2 θ 1/2	----	120	----	deg	

Note : 1.The Radiant intensity data did not including \pm 15% testing tolerance.

Luminous Intensity Classification

BIN CODE	Po(mw/sr) at 20mA	
	Min.	Max.
M	1.8	2.4
N	2.4	3.2
P	3.2	4.2
Q	4.2	5.5
R	5.5	7.2

Typical Electro-Optical Characteristics Curve ZIR CHIP

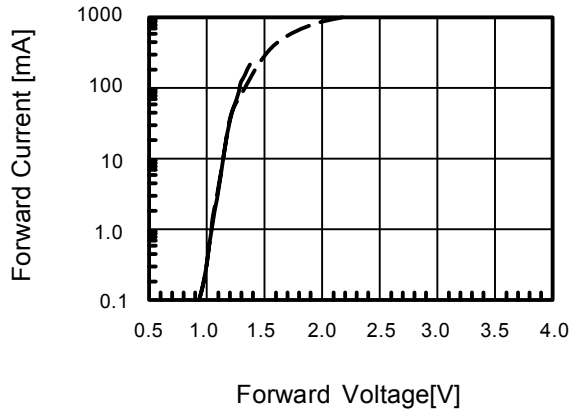


Fig.3. Relative Radiant Power vs. Forward Peak Current

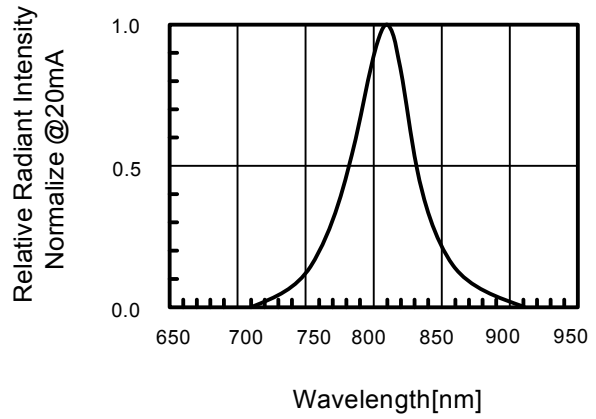


Fig.4 Relative Radiant Power vs. Forward Peak Current

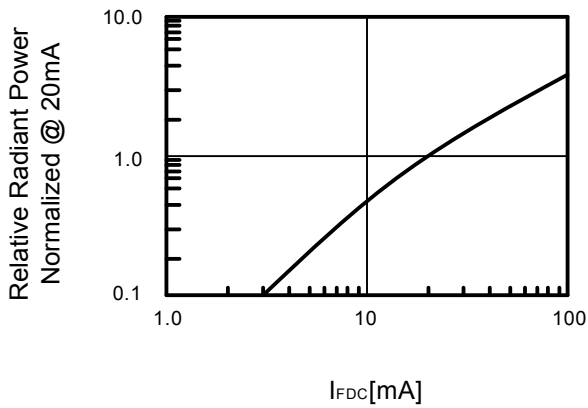


Fig.5 Forward DC Voltage vs. Temperature

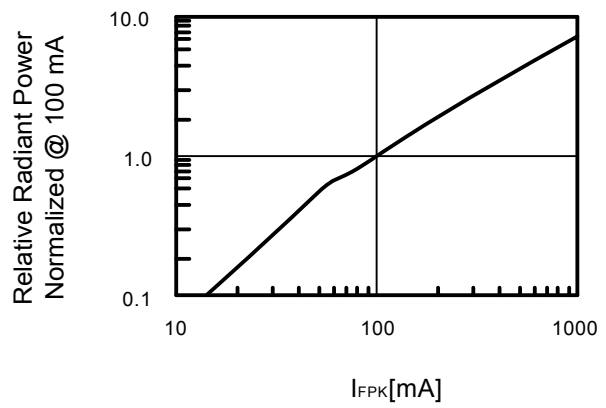
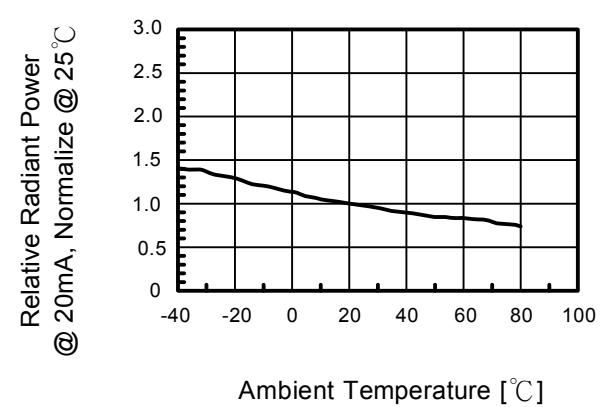
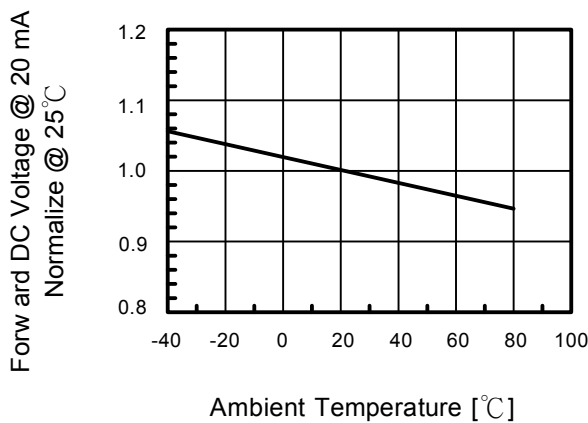
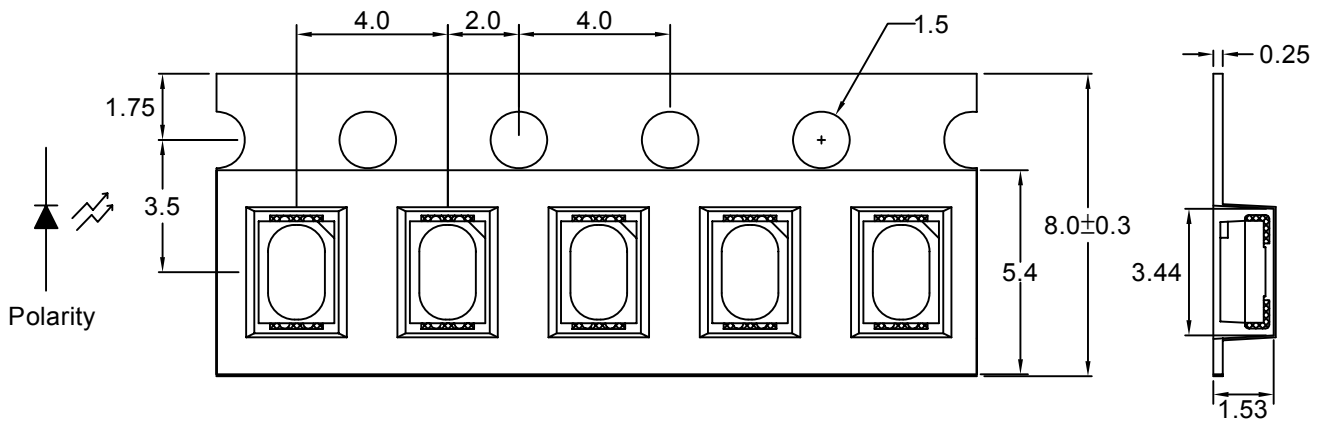


Fig.6 Relative Radiant Power vs. Temperature

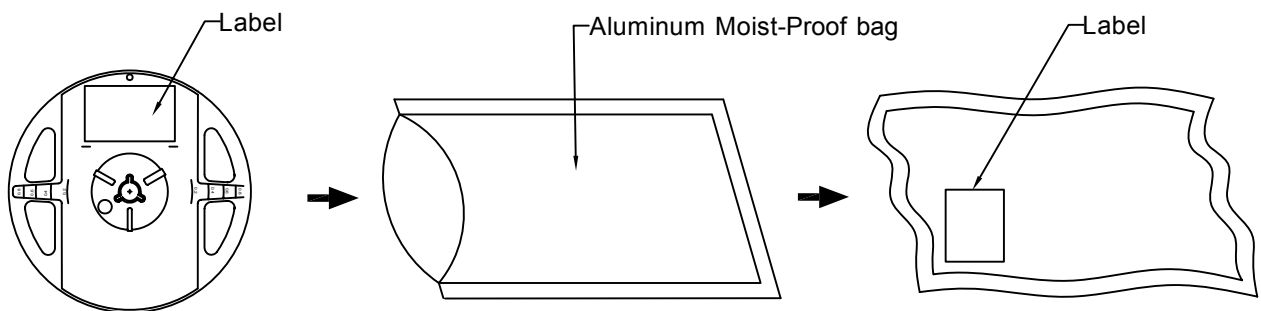


Carrier Type Dimensions









Note : The tolerances unless mentioned is $\pm 0.1\text{mm}$, Unit=mm.

• Packing Specifications



Part No.	Description	Quantity/Reel
LZIR9S53	8.0mm tape,7"reel	2000 PCS

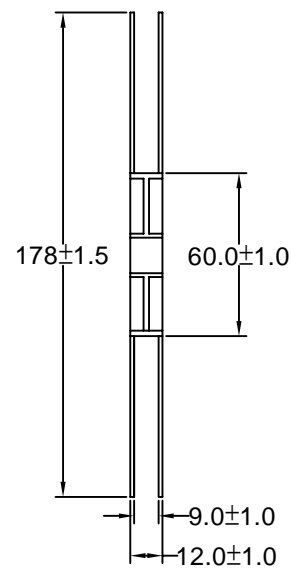
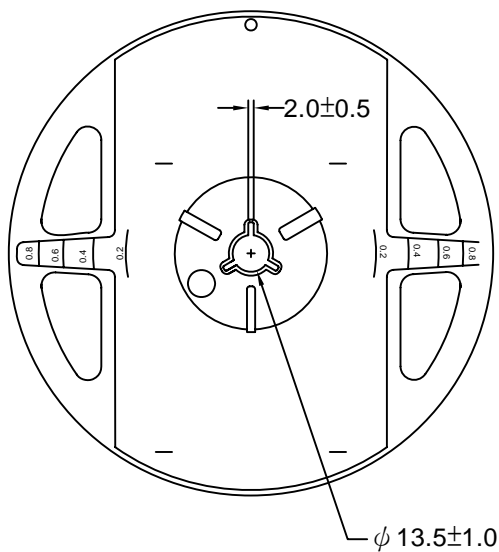
Label Explanation

	LIGITEK ELECTRONICS CO., LTD.	
		
	PART :	LZIR9S53
		
	LOT :	GS11630168
		
QTY(PCS):	2000	
		
BIN/HUE :	N	VF:1.2-1.7

BIN : Radiant Intensity

VF : Forward Voltage

Reel Dimensions



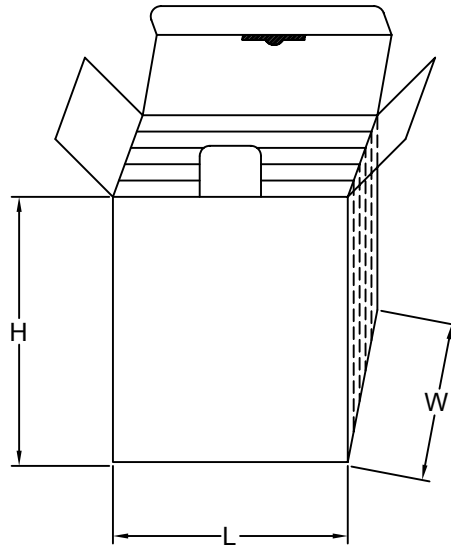
PART NO. LZIR9S53

Page 8/11

Box Explanation

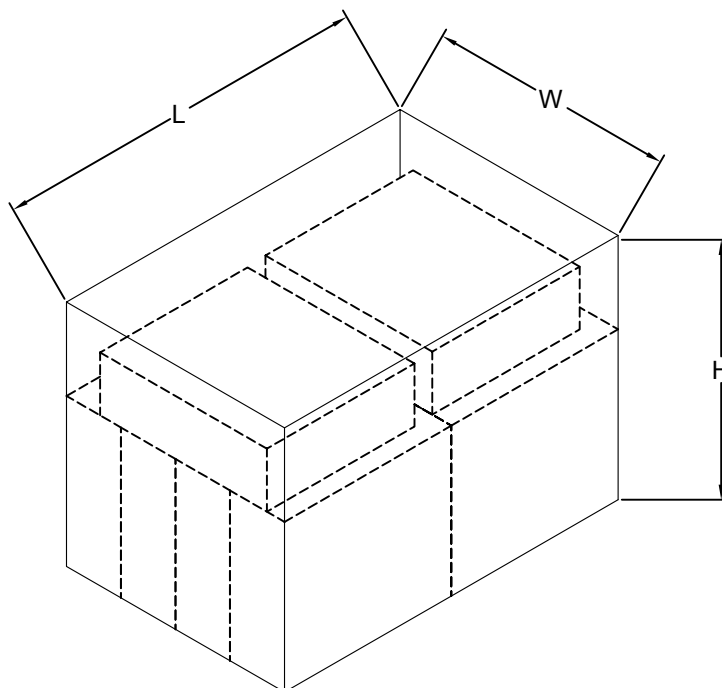
1. 5 BAG / INNER BOX

2. INNER BOX SIZE : L X W X H 23cm X 8.5cm x 26cm



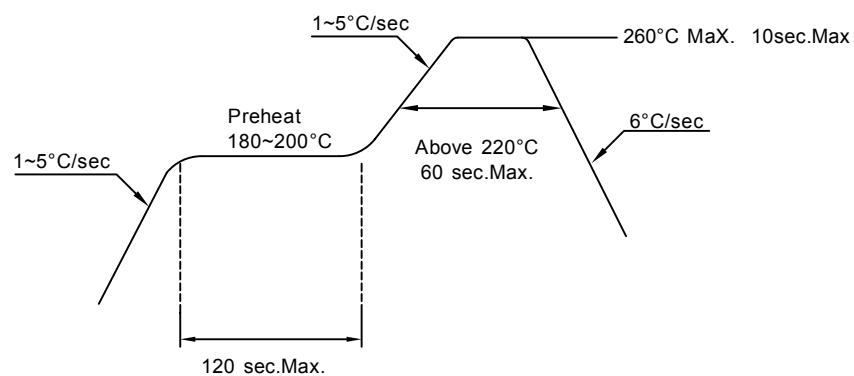
3. 10 INNER BOXES / CARTON

4. CARTON SIZE : L X W X H 58cm X 34cm x 35cm



Recommended Soldering Conditions**1. Hand Solder**

Basic spec is $\leq 320^{\circ}\text{C}$ 3 sec one time only.

2. PB-Free Reflow Solder**Note:**

- 1.Reflow soldering should not be done more than two times.
- 2.When soldering,do not put stress on the LEDs during heating.
- 3.After soldering,do not warp the circuit board.

Precautions For Use:**Storage time:**

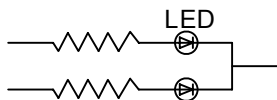
1. Calculated shelf life before opening is 12 months at $< 30^{\circ}\text{C}$ and $< 90\%$ relative humidity (RH)
2. After bag is opened, devices which will be subjected to reflow soldering or other high temperature processes must be
 - a) Assembled within 168 hours in an environment of $\leq 30^{\circ}\text{C} / 60\%$ RH, or
 - b) Stored at ambient of 10% RH or less
3. Devices are required baking before assembly if:
 - a) Humidity Indicator Card reads $>10\%$ (for level 2a -5a) or $>60\%$ (for level 2) at ambient temperature $23 \pm 5^{\circ}\text{C}$
 - b) 2.a) or 2.b) doesn't meet
4. If baking is required, devices should be baked for >24 hours at $60 \pm 5^{\circ}\text{C}$. Performing baking only once, and using the baked devices within 72 hours.

Drive Method:

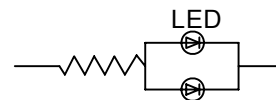
LED is a current operated device, and therefore, requires some kind of current limiting incorporated into the driver circuit. This current limiting typically takes the form of a current limiting resistor placed in series with the LED.

Consider worst case voltage variations than could occur across the current limiting resistor. The forward current should not be allowed to change by more than 40% of its desired value.

Circuit model A



Circuit model B



(A) Recommended circuit.

(B) The difference of brightness between LED could be found due to the VF-IF characteristics of LED.

Cleaning:

Use alcohol-based cleaning solvents such as isopropyl alcohol to clean the LED.

ESD(Electrostatic Discharge):

Static Electricity or power surge will damage the LED. Use of a conductive wrist band or anti-electrostatic glove is recommended when handling these LED. All devices, equipment and machinery must be properly grounded.

Reliability Test:

Classification	Test Item	Test Condition	Sample Size
Endurance Test	Operating Life Test	1.Ta=25°C 2.If=20mA 3.t=1000 hrs (-24hrs,+72hrs)	22
	High Temperature Storage Test	1.Ta=100°C±5°C 2.t=1000 hrs (-24hrs,+72hrs)	22
	Low Temperature Storage Test	1.Ta=-40°C±5°C 2.t=1000 hrs (-24hrs,+72hrs)	22
	High Temperature High Humidity Storage Test	1.Ta=85°C 2.RH=85% 3.t=1000hrs(-24hrs,+72hrs)	22
Environmental Test	Thermal Shock Test	1.Ta=100°C±5°C ~ -40°C±5°C 20min/ 10sec / 20min 2.total 100 cycles	22
	Temperature Cycling	1.100°C±5°C ~ -40°C±5°C 30mins / 5mins / 30mins 2.100 Cyeles	22
	IR Reflow	1.T=260°C Max. 10sec.Max. 2. 6 Min	22